

MOTOR-START TYPE

EAS

Series



* Aluminium Electrolytic Capacitors

* For single-phase motor starting (air conditioners, water pumps, refrigerators and similar applications)

● SPECIFICATION

Item	EAS-A	EAS-B	EAS-C
Operating Temperature Range	-15 ÷ +60°C	-15 ÷ +60°C	-15 ÷ +60°C
Rated Working Voltage	125 ÷ 320VAC	125 ÷ 320VAC	125 ÷ 320VAC
Capacitance Tolerance	30 ÷ 500µF	30 ÷ 500µF	30 ÷ 500µF
Dissipation Factor (max) 20°C 50 ÷ 60Hz	0.16	0.14	0.12
Duty Cycle	AB0.55%ED (Twenty applications per hour with duration 1 sec)	AB1.00%ED (Twenty applications per hour with duration 2 sec)	AB1.70%ED (Twenty applications per hour with duration 3 sec)

MOTOR-START TYPE

EAS-1

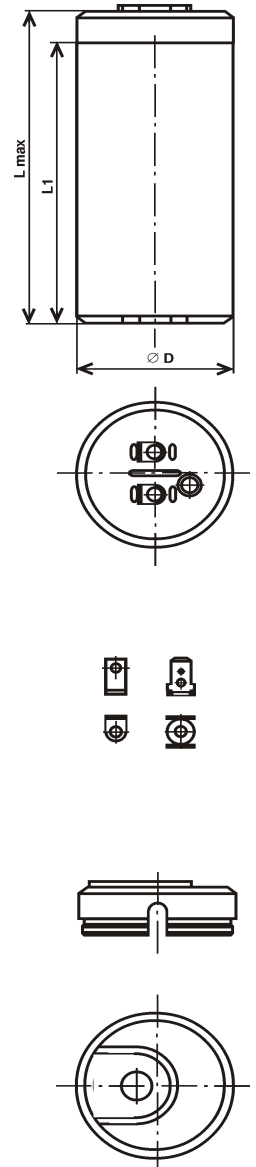
Series



- * Aluminum Electrolytic Capacitors
- * Without Endcup
- * Without Fixing Stud
- * Without Cable

● CASE SIZE

μF	VAC	EAS-A			EAS-B			EAS-C			
		ØD	L1	Lmax	ØD	L1	Lmax	ØD	L1	Lmax	
60-80	125	37.5	70	80	37.5	70	80	37.5	70	80	
80-100		37.5	70	80	37.5	70	80	37.5	70	80	
100-120		37.5	70	80	37.5	70	80	37.5	70	80	
120-150		37.5	70	80	37.5	70	80	37.5	70	80	
150-200		37.5	70	80	37.5	70	80	37.5	70	80	
200-250		45.5	85	95	45.5	85	95	45.5	85	95	
250-315		45.5	85	95	45.5	85	95	45.5	85	95	
315-400		45.5	85	95	45.5	85	95	45.5	85	95	
400-500		45.5	85	95	45.5	85	95	45.5	85	95	
60-80	160	37.5	70	80	37.5	70	80	37.5	70	80	
80-100		37.5	70	80	37.5	70	80	37.5	70	80	
100-120		37.5	70	80	37.5	70	80	37.5	70	80	
120-150		37.5	70	80	37.5	70	80	37.5	70	80	
150-200		37.5	70	80	37.5	70	80	37.5	70	80	
200-250		45.5	85	95	45.5	85	95	45.5	85	95	
250-315		45.5	85	95	45.5	85	95	45.5	85	95	
315-400		45.5	85	95	45.5	85	95	45.5	85	95	
400-500		45.5	85	95	45.5	85	95	45.5	85	95	
30-40	220	37.5	70	80	37.5	70	80	37.5	70	80	
40-50		37.5	70	80	37.5	70	80	37.5	70	80	
50-60		37.5	70	80	37.5	70	80	37.5	70	80	
60-80		37.5	70	80	37.5	70	80	37.5	70	80	
80-100		37.5	70	80	37.5	70	80	45.5	85	95	
100-120		37.5	70	80	45.5	85	95	45.5	85	95	
120-150		45.5	85	95	45.5	85	95	45.5	85	95	
150-200		45.5	85	95	45.5	85	95	45.5	85	95	
200-250		45.5	85	95	45.5	85	95	45.5	85	95	
250-315		45.5	85	95	45.5	85	95	45.5	85	95	
315-400		45.5	85	95	45.5	85	95	45.5	85	95	
400-500		45.5	85	95	45.5	85	95	45.5	85	95	
30-40		280	37.5	70	80	37.5	70	80	37.5	70	80
40-50			37.5	70	80	37.5	70	80	37.5	70	80
50-60			37.5	70	80	37.5	70	80	37.5	70	80
60-80			37.5	70	80	37.5	70	80	45.5	85	95
80-100	45.5		85	95	45.5	85	95	45.5	85	95	
100-120	45.5		85	95	45.5	85	95	45.5	85	95	
120-150	45.5		85	95	45.5	85	95	45.5	85	95	
150-200	45.5		85	95	45.5	85	95	45.5	85	95	
200-250	45.5		85	95	45.5	85	95	45.5	85	95	
250-315	45.5		85	95	45.5	85	95	45.5	85	95	
315-400	45.5		85	95	45.5	85	95	45.5	85	95	
400-500	45.5		85	95	45.5	85	95	45.5	85	95	
30-40	320		37.5	70	80	37.5	70	80	37.5	70	80
40-50			37.5	70	80	37.5	70	80	37.5	70	80
50-60			37.5	70	80	37.5	70	80	45.5	85	95
60-80			45.5	85	95	45.5	85	95	45.5	85	95
80-100		45.5	85	95	45.5	85	95	45.5	85	95	
100-120		45.5	85	95	45.5	85	95	45.5	85	95	
120-150		45.5	85	95	45.5	85	95	45.5	85	95	
150-200		45.5	85	95	45.5	85	95	45.5	85	95	
200-250		45.5	85	95	45.5	85	95	45.5	85	95	



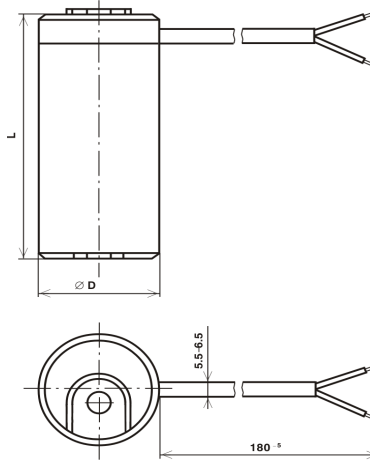
Note: Capacitors are available with other sizes by customer's request

MOTOR-START TYPE

EAS-2 Series



- * Aluminum Electrolytic Capacitors
- * With Endcup
- * Without Fixing Stud
- * With Cable



● CASE SIZE

μF	VAC	EAS-A	EAS-B	EAS-C
60-80	125	37.5x80	37.5x80	37.5x80
80-100		37.5x80	37.5x80	37.5x80
100-120		37.5x80	37.5x80	37.5x80
120-150		37.5x80	37.5x80	37.5x80
150-200		37.5x80	37.5x80	37.5x80
200-250		45.5x95	45.5x95	45.5x95
250-315		45.5x95	45.5x95	45.5x95
315-400		45.5x95	45.5x95	45.5x95
400-500	45.5x95	45.5x95	45.5x95	
60-80	160	37.5x80	37.5x80	37.5x80
80-100		37.5x80	37.5x80	37.5x80
100-120		37.5x80	37.5x80	37.5x80
120-150		37.5x80	37.5x80	45.5x95
150-200		37.5x80	45.5x95	45.5x95
200-250		45.5x95	45.5x95	45.5x95
250-315		45.5x95	45.5x95	45.5x95
315-400		45.5x95	45.5x95	45.5x95
400-500	45.5x95	45.5x95	45.5x95	
30-40	220	37.5x80	37.5x80	37.5x80
40-50		37.5x80	37.5x80	37.5x80
50-60		37.5x80	37.5x80	37.5x80
60-80		37.5x80	37.5x80	37.5x80
80-100		37.5x80	37.5x80	45.5x95
100-120		37.5x80	45.5x95	45.5x95
120-150		45.5x95	45.5x95	45.5x95
150-200		45.5x95	45.5x95	45.5x95
200-250		45.5x95	45.5x95	45.5x95
250-315		45.5x95	45.5x95	45.5x95
315-400	45.5x95	52x123	52x123	
400-500	52x123	52x123	52x123	
30-40	280	37.5x80	37.5x80	37.5x80
40-50		37.5x80	37.5x80	37.5x80
50-60		37.5x80	37.5x80	37.5x80
60-80		37.5x80	37.5x80	45.5x95
80-100		45.5x95	45.5x95	45.5x95
100-120		45.5x95	45.5x95	45.5x95
120-150		45.5x95	45.5x95	45.5x95
150-200		45.5x95	45.5x95	45.5x95
200-250		45.5x95	45.5x95	45.5x95
250-315		45.5x95	45.5x95	52x123
315-400	45.5x95	52x123	52x123	
400-500	52x123	52x123	52x123	
30-40	320	37.5x80	37.5x80	37.5x80
40-50		37.5x80	37.5x80	37.5x80
50-60		37.5x80	37.5x80	45.5x95
60-80		45.5x95	45.5x95	45.5x95
80-100		45.5x95	45.5x95	45.5x95
100-120		45.5x95	45.5x95	45.5x95
120-150		45.5x95	45.5x95	45.5x95
150-200		45.5x95	45.5x95	45.5x95
200-250		45.5x95	45.5x95	45.5x95
250-315		45.5x95	45.5x95	45.5x95
315-400	45.5x95	45.5x95	45.5x95	
400-500	45.5x95	45.5x95	45.5x95	

Note: Capacitors are available with other sizes by customer's request

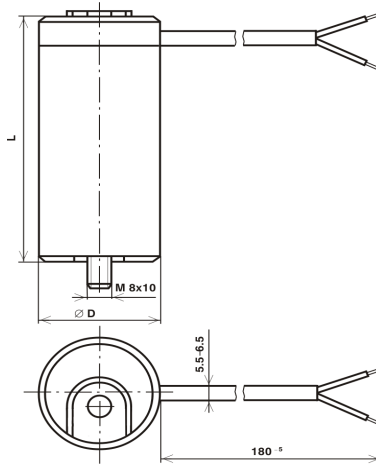
MOTOR-START TYPE

EAS-3

Series



- * Aluminum Electrolytic Capacitors
- * With Endcup
- * With Fixing Stud
- * With Cable



● CASE SIZE

μF	VAC	EAS-A	EAS-B	EAS-C
60-80	125	37.5x80	37.5x80	37.5x80
80-100		37.5x80	37.5x80	37.5x80
100-120		37.5x80	37.5x80	37.5x80
120-150		37.5x80	37.5x80	37.5x80
150-200		37.5x80	37.5x80	37.5x80
200-250		45.5x95	45.5x95	45.5x95
250-315		45.5x95	45.5x95	45.5x95
315-400		45.5x95	45.5x95	45.5x95
400-500	45.5x95	45.5x95	45.5x95	
60-80	160	37.5x80	37.5x80	37.5x80
80-100		37.5x80	37.5x80	37.5x80
100-120		37.5x80	37.5x80	37.5x80
120-150		37.5x80	37.5x80	45.5x95
150-200		37.5x80	45.5x95	45.5x95
200-250		45.5x95	45.5x95	45.5x95
250-315		45.5x95	45.5x95	45.5x95
315-400		45.5x95	45.5x95	45.5x95
400-500	45.5x95	45.5x95	45.5x95	
30-40	220	37.5x80	37.5x80	37.5x80
40-50		37.5x80	37.5x80	37.5x80
50-60		37.5x80	37.5x80	37.5x80
60-80		37.5x80	37.5x80	37.5x80
80-100		37.5x80	37.5x80	45.5x95
100-120		37.5x80	45.5x95	45.5x95
120-150		45.5x95	45.5x95	45.5x95
150-200		45.5x95	45.5x95	45.5x95
200-250		45.5x95	45.5x95	45.5x95
250-315		45.5x95	45.5x95	45.5x95
315-400	45.5x95	52x123	52x123	
400-500	52x123	52x123	52x123	
30-40	280	37.5x80	37.5x80	37.5x80
40-50		37.5x80	37.5x80	37.5x80
50-60		37.5x80	37.5x80	37.5x80
60-80		37.5x80	37.5x80	45.5x95
80-100		45.5x95	45.5x95	45.5x95
100-120		45.5x95	45.5x95	45.5x95
120-150		45.5x95	45.5x95	45.5x95
150-200		45.5x95	45.5x95	45.5x95
200-250		45.5x95	45.5x95	45.5x95
250-315		45.5x95	45.5x95	52x123
315-400	45.5x95	52x123	52x123	
400-500	52x123	52x123	52x123	
30-40	320	37.5x80	37.5x80	37.5x80
40-50		37.5x80	37.5x80	37.5x80
50-60		37.5x80	37.5x80	45.5x95
60-80		45.5x95	45.5x95	45.5x95
80-100		45.5x95	45.5x95	45.5x95
100-120		45.5x95	45.5x95	45.5x95
120-150		45.5x95	45.5x95	45.5x95
150-200		45.5x95	45.5x95	45.5x95
200-250		45.5x95	45.5x95	45.5x95
250-315		45.5x95	45.5x95	45.5x95
315-400	45.5x95	45.5x95	45.5x95	
400-500	45.5x95	45.5x95	45.5x95	

Note: Capacitors are available with other sizes by customer's request

MOTOR-START TYPE

EAS-TLS

Series



CONIS ELCO Ltd.

- * Aluminium Electrolytic Capacitors
- * With A Starting Device For Asynchronous Motors

● APPLICATION

EAS-TLS capacitors are used for starting of single-phase asynchronous motors or three-phase motors in a single-phase net. EAS-TLS consists of two elements - Electrolytic motor-start capacitor EAS and an electronic device TLS. The electronic device turns off the starting capacitor after attainment of the nominal revolutions but not later than Tmax. The constructive features of the motors (quality of steel, scheme of coils winding, number of motor poles and supply voltage frequency) don't influence on the operation of EAS-TLS.

A centrifugal breaker is not necessary when a capacitor with a starting device is used.

Advantages of EAS-TLS:

- Simplification of the motor construction and reduction of its sizes;
- Possibility of operating at heavier conditions - unstable supply voltage, high humidity, availability of vibrations etc.;
- Prevent the motor from burning;
- Reliability increase;
- Motor cost price decrease;

● TECHNICAL CHARACTERISTICS

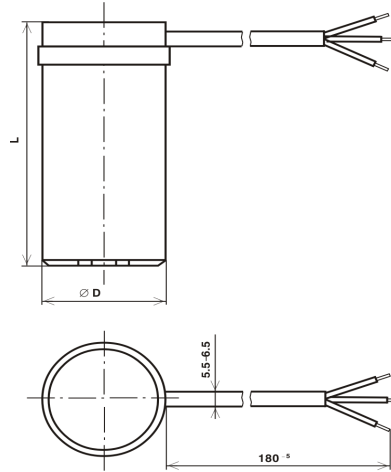
Nominal supply voltage	110; 220 VAC
Nominal capacitance of start-up capacitor	30 up to 500 μ F
Nominal voltage of start-up capacitor	125 up to 320 VAC
Nominal frequency	42 up to 60 Hz
Working temperature range	-15°C up to + 60°C
Nominal current	6A; 16A; 25A; 40A
Maximum starting regime Tmax	3 sec; (other times are available at request)
Recovery time for the second time switching on	3 min
Dimensions	see tables
Terminals	three-core cable 3x0,75mm ² , 105°C, PVC
- length	120; 150; 250 mm (other lengths are available at request)
- bared outside insulation	35 \pm 5 mm
- stripped and tinned wire	5 \pm 0,5 mm

MOTOR-START TYPE

EAS-TLS-2 Series



- * Aluminum Electrolytic Capacitors
- * With Starting Device
- * With Endcup
- * Without Fixing Stud
- * With Cable



● CASE SIZE

µF	VAC	EAS-TLS-A	EAS-TLS-B	EAS-TLS-C
60-80	125	45.5x98	45.5x98	45.5x98
80-100		45.5x98	45.5x98	45.5x98
100-120		45.5x98	45.5x98	45.5x98
120-150		45.5x98	45.5x98	45.5x98
150-200		45.5x98	45.5x98	45.5x98
200-250		45.5x98	45.5x98	45.5x98
250-315		45.5x98	45.5x98	45.5x98
315-400		45.5x98	45.5x98	45.5x98
400-500		45.5x98	45.5x98	45.5x98
60-80	160	45.5x98	45.5x98	45.5x98
80-100		45.5x98	45.5x98	45.5x98
100-120		45.5x98	45.5x98	45.5x98
120-150		45.5x98	45.5x98	45.5x98
150-200		45.5x98	45.5x98	45.5x98
200-250		45.5x98	45.5x98	45.5x98
250-315		45.5x98	45.5x98	45.5x98
315-400		45.5x98	45.5x98	45.5x98
400-500		45.5x98	45.5x98	45.5x98
30-40	220	45.5x98	45.5x98	45.5x98
40-50		45.5x98	45.5x98	45.5x98
50-60		45.5x98	45.5x98	45.5x98
60-80		45.5x98	45.5x98	45.5x98
80-100		45.5x98	45.5x98	45.5x98
100-120		45.5x98	45.5x98	45.5x98
120-150		45.5x98	45.5x98	45.5x98
150-200		45.5x98	45.5x98	45.5x98
200-250		45.5x98	45.5x98	45.5x98
250-315		45.5x98	45.5x98	45.5x98
315-400	45.5x98	52x123	52x123	
400-500	52x123	52x123	52x123	
30-40	280	45.5x98	45.5x98	45.5x98
40-50		45.5x98	45.5x98	45.5x98
50-60		45.5x98	45.5x98	45.5x98
60-80		45.5x98	45.5x98	45.5x98
80-100		45.5x98	45.5x98	45.5x98
100-120		45.5x98	45.5x98	45.5x98
120-150		45.5x98	45.5x98	45.5x98
150-200		45.5x98	45.5x98	45.5x98
200-250		45.5x98	45.5x98	45.5x98
250-315		45.5x98	45.5x98	52x123
315-400	45.5x98	52x123	52x123	
400-500	52x123	52x123	52x123	
30-40	320	45.5x98	45.5x98	45.5x98
40-50		45.5x98	45.5x98	45.5x98
50-60		45.5x98	45.5x98	45.5x98
60-80		45.5x98	45.5x98	45.5x98
80-100		45.5x98	45.5x98	45.5x98
100-120		45.5x98	45.5x98	45.5x98
120-150		45.5x98	45.5x98	45.5x98
150-200		45.5x98	45.5x98	45.5x98
200-250		45.5x98	45.5x98	52x123

Note: Capacitors are available with other sizes by customer's request

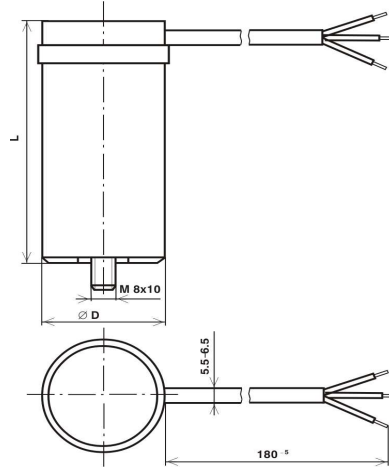
MOTOR-START TYPE

EAS-TLS-3

Series



- * Aluminum Electrolytic Capacitors
- * With Starting Device
- * With Endcup
- * With Fixing Stud
- * With Cable



● CASE SIZE

µF	VAC	EAS-TLS-A	EAS-TLS-B	EAS-TLS-C
60-80	125	45.5x98	45.5x98	45.5x98
80-100		45.5x98	45.5x98	45.5x98
100-120		45.5x98	45.5x98	45.5x98
120-150		45.5x98	45.5x98	45.5x98
150-200		45.5x98	45.5x98	45.5x98
200-250		45.5x98	45.5x98	45.5x98
250-315		45.5x98	45.5x98	45.5x98
315-400		45.5x98	45.5x98	45.5x98
400-500	45.5x98	45.5x98	45.5x98	
60-80	160	45.5x98	45.5x98	45.5x98
80-100		45.5x98	45.5x98	45.5x98
100-120		45.5x98	45.5x98	45.5x98
120-150		45.5x98	45.5x98	45.5x98
150-200		45.5x98	45.5x98	45.5x98
200-250		45.5x98	45.5x98	45.5x98
250-315		45.5x98	45.5x98	45.5x98
315-400		45.5x98	45.5x98	45.5x98
400-500	45.5x98	45.5x98	45.5x98	
30-40	220	45.5x98	45.5x98	45.5x98
40-50		45.5x98	45.5x98	45.5x98
50-60		45.5x98	45.5x98	45.5x98
60-80		45.5x98	45.5x98	45.5x98
80-100		45.5x98	45.5x98	45.5x98
100-120		45.5x98	45.5x98	45.5x98
120-150		45.5x98	45.5x98	45.5x98
150-200		45.5x98	45.5x98	45.5x98
200-250		45.5x98	45.5x98	45.5x98
250-315		45.5x98	45.5x98	45.5x98
315-400	45.5x98	52x123	52x123	
400-500	52x123	52x123	52x123	
30-40	280	45.5x98	45.5x98	45.5x98
40-50		45.5x98	45.5x98	45.5x98
50-60		45.5x98	45.5x98	45.5x98
60-80		45.5x98	45.5x98	45.5x98
80-100		45.5x98	45.5x98	45.5x98
100-120		45.5x98	45.5x98	45.5x98
120-150		45.5x98	45.5x98	45.5x98
150-200		45.5x98	45.5x98	45.5x98
200-250		45.5x98	45.5x98	45.5x98
250-315		45.5x98	45.5x98	52x123
315-400	45.5x98	52x123	52x123	
400-500	52x123	52x123	52x123	
30-40	320	45.5x98	45.5x98	45.5x98
40-50		45.5x98	45.5x98	45.5x98
50-60		45.5x98	45.5x98	45.5x98
60-80		45.5x98	45.5x98	45.5x98
80-100		45.5x98	45.5x98	45.5x98
100-120		45.5x98	45.5x98	45.5x98
120-150		45.5x98	45.5x98	45.5x98
150-200		45.5x98	45.5x98	45.5x98
200-250	45.5x98	45.5x98	52x123	

Note: Capacitors are available with other sizes by customer's request